



**ELITE Series™**

**Pressure Washer  
Lavador a Presión**

**Illustrated Parts List**

**020215  
(2450 PSI)**



Questions? Help is just a moment away!

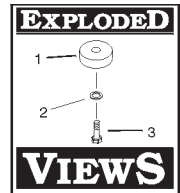
Preguntas? La ayuda es justa un momento lejos!

Call: **Pressure Washer Helpline - 1-800-743-4115 M-F 8-5 CT**

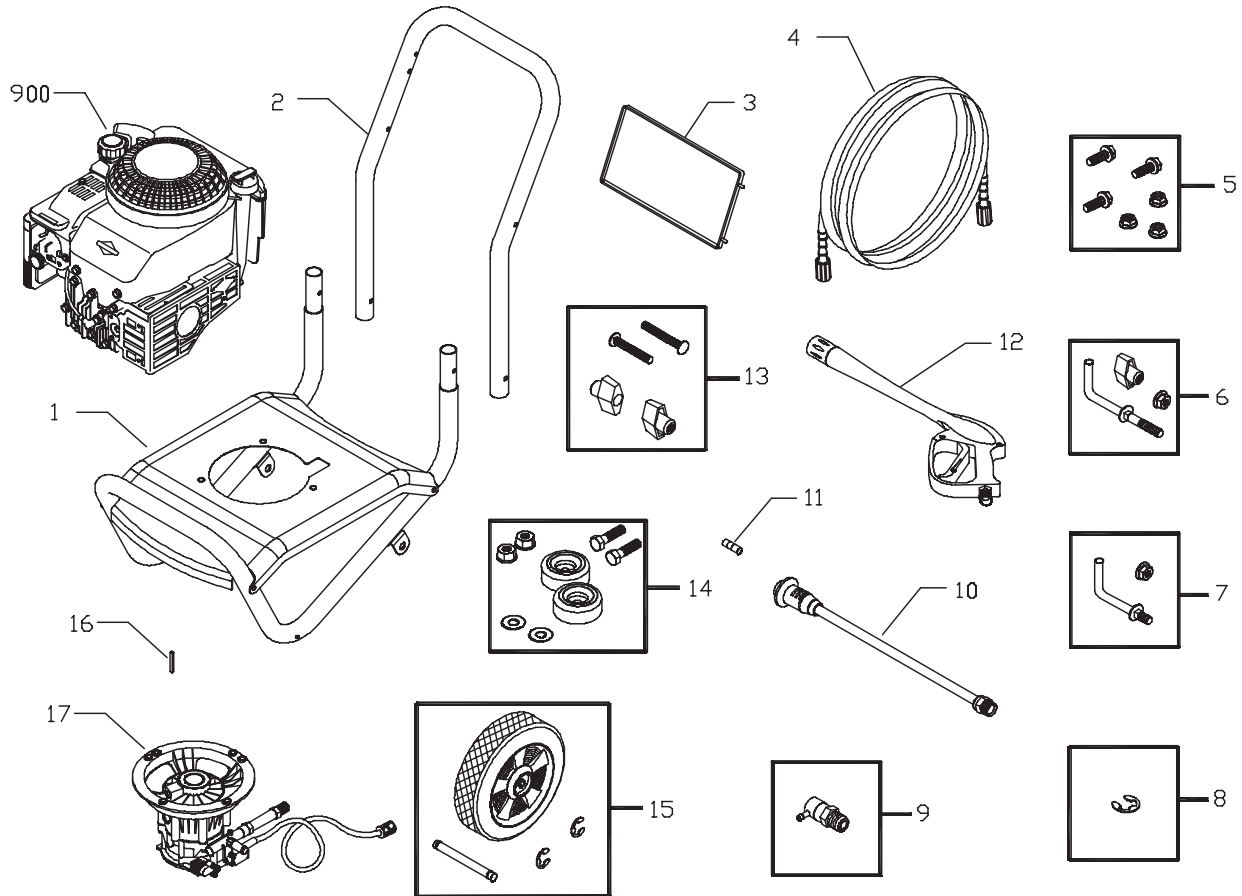
Llame: **Línea Directa del Lavador a Presión - 1-800-743-4115 M-F 8-5 CT**

**BRIGGS & STRATTON POWER PRODUCTS GROUP, LLC  
JEFFERSON, WISCONSIN, U.S.A.**

Manual No. 194466A  
Revision 0 (10/26/2004)



## EXPLODED VIEW AND PARTS LIST — MAIN UNIT

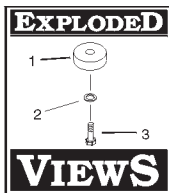


| Item | Part #    | Description                 | Item | Part #   | Description             |
|------|-----------|-----------------------------|------|----------|-------------------------|
| 1    | 195339GS  | BASE                        | 11   | 21760GS  | ORIFICE                 |
| 2    | B194718GS | HANDLE                      | 12   | B3263GS  | GUN                     |
| 3    | 194469GS  | ASSY, Billboard with Decal  | 13   | B2203GS  | KIT, Handle Connector   |
| 4    | 190249GS  | HOSE                        | 14   | 192310GS | KIT, Vibration Mount    |
| 5    | 192645GS  | KIT, Pump Mounting Hardware | 15   | 192311GS | KIT, Wheel              |
| 6    | 194264GS  | KIT, Hook, Handle           | 16   | 23139GS  | KEY                     |
| 7    | 192309GS  | KIT, Hook, Base             | 17   | 194216GS | ASSY, Pump (see page 3) |
| 8    | 192050GS  | KIT, E-Ring                 | 900  | §        | ENGINE                  |
| 9    | 194298GS  | VALVE, Thermal Relief       |      |          |                         |
| 10   | 188792HGS | WAND, Adjustable Nozzle     |      |          |                         |

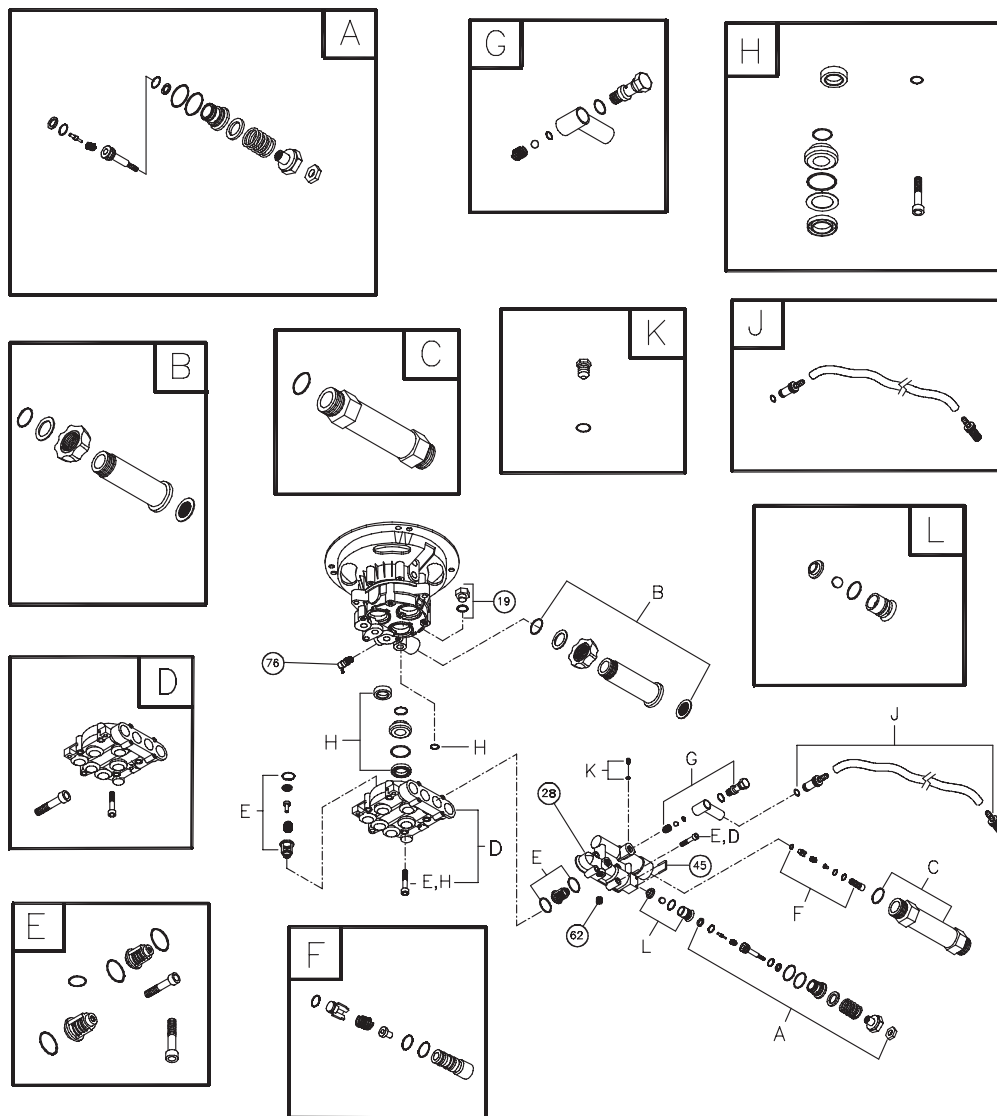
§ - Contact Engine Manufacturer

**Items Not Illustrated:**

| Part #    | Description                    |
|-----------|--------------------------------|
| 194466GS  | MANUAL, Owner's                |
| MS6847    | MANUAL, Engine                 |
| 194256GS  | KIT, Tag, Warning with Clip    |
| BB3061BGS | OIL, Engine                    |
| 191922GS  | KIT, O-RING MAINT & NZZL CLNNG |



## EXPLODED VIEW AND PARTS LIST — PUMP



| Item | Part #   | Description            |
|------|----------|------------------------|
| 19   | 190571GS | CAP, Oil, 5.5 - 6.5 NM |
| 28   | 190627GS | MANIFOLD               |
| 45   | 190578GS | PIN                    |
| 62   | 190581GS | CAP, 1/8               |
| 76   | 194298GS | THERMAL RELIEF         |
| 77   | 190586GS | OIL BOTTLE (not shown) |
| A    | 190594GS | KIT, UNLOADER STEM     |
| B    | 190632GS | KIT, WATER INLET, ALUM |
| C    | 190634GS | KIT, OUTLET, ALUM      |
| D    | 193808GS | KIT, HEAD BRASS        |

| Item | Part #   | Description             |
|------|----------|-------------------------|
| E    | 193806GS | KIT, CHECK VALVES       |
| F    | 190592GS | KIT, INLET CHECK        |
| G    | 190593GS | KIT, CHEMICAL INJECTION |
| H    | 193807GS | KIT, SEAL SET           |
| J    | 189971GS | KIT, CHEMICAL HOSE      |
| K    | 193971GS | KIT, PIPE FITTING       |
| L    | 193972GS | KIT, UNLOADER SEAT      |

**NOTE:** Item letters A - L are service kits and include all parts shown within the box.